

## **UHF system with Integrated Antenna Power Monitor**

The UHF system is designed for Public Safety Critical Communication.

It features:

- Cavity combiner
- Tx-filter
- Frequency selective power monitor
- RMC

The system is available as 3 ch, 4 ch, 5 ch, and 6 ch configurations for single band or dual-band operation.

The frequency selective antenna power monitor is integrated in the system and is Ethernet / SNMP / SYSLOG enabled providing information such as: forward power, reflected power, antenna VSWR, heat sink temperature.

The integrated DPM enables easy factory or field tuning using only the base station radio and a PC.

SNMP alarm and SYSLOG will be generated upon high antenna VSWR and high temperature. All alarms are user configured through Ethernet or SNMP.

Tx-filters are milled hence PIP rated and PIM hardened.

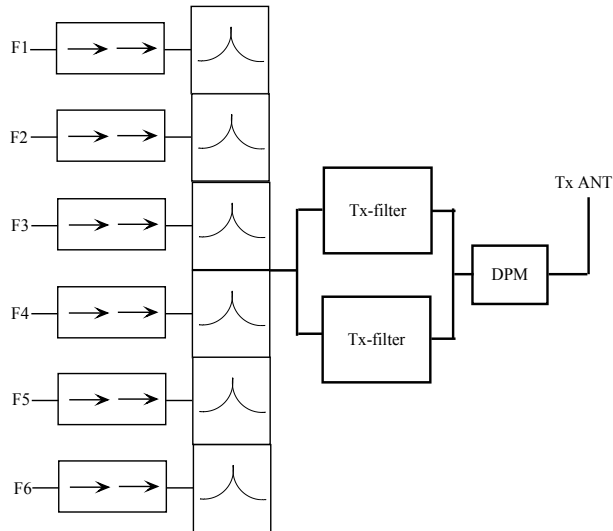
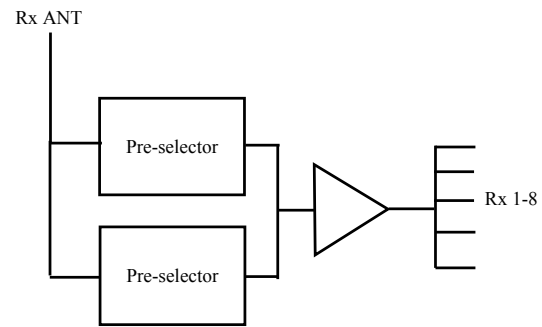
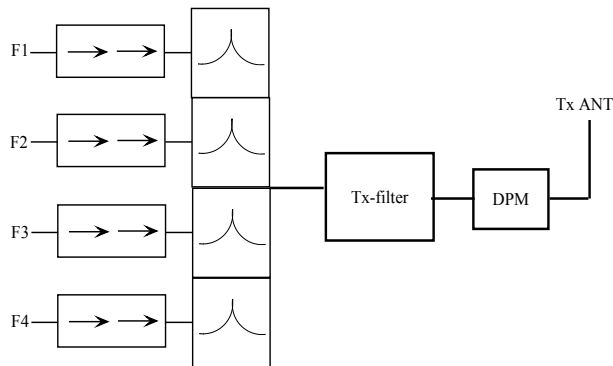
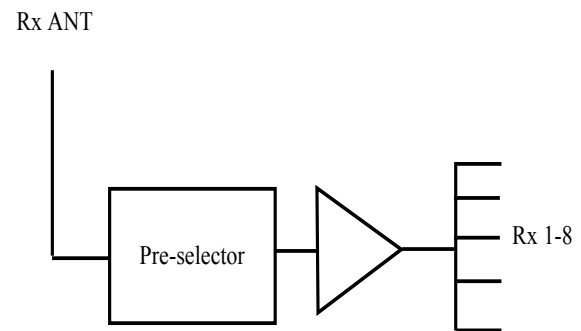
Pre-selectors are milled for superior rejection close to the pass-band.

In a dual band system, any no. of channels can be assigned to either band.



**6 ch. UHF dual band system**

### **COMBILENT USA**


**Tx-path, dual band configuration**

**Rx-path, dual band configuration**

**Tx-path, single band configuration**

**Rx-path, single band configuration**
**COMBILENT USA**



Leading innovation and reliability for Public Safety

DS20821  
October 2018

**Specification, System**

450-470 MHz

Other bands on request

**Part Numbers**

CP01052  
CP01053  
CP01054  
CP01055  
CP01047  
CP01048  
CP01049  
CP01050

**Description**

3 ch system, single band  
4 ch system, single band  
5 ch system, single band  
6 ch system, single band  
3 ch system, dual band  
4 ch system, dual band  
5 ch system, dual band  
6 ch system, dual band

**Specification**

Minimum spacing  
Input power  
Insertion loss, 3, 4 ch  
Insertion loss, 5, 6 ch  
Tx filter band width  
Tx to Rx selectivity  
Tx-Tx isolation  
Input return loss  
Output return loss  
Operating temp.  
Connectors, inputs  
Connector, output

**Tx-path**

150 kHz  
100 W / ch  
3.4 dB typ  
3.7 dB typ.  
4 MHz  
45 dB (1 MHz away)  
>60 dB  
>20 dB  
>10 dB  
-30°C to 60°C  
N-female  
7-16 female

**Specification**

Power supply  
Interfaces  
Inputs  
Functions and alarms

**Features**

**Alarm output**

**Power Monitor (DPM)**

110V/230VAC  
Integrated web-server  
SNMP v2C, SYSLOG  
Temperature sensors  
Cavity tuning  
Forward power (per cavity)  
Reflected power (per cavity)  
Antenna VSWR (per cavity)  
Heat sink temperature  
SNTP, Firmware update  
Factory test data  
Dry contact alarm

**Specification**

Rx filter band width  
Rx to Tx selectivity  
Gain  
Noise figure  
IIP3

**Rx-path**

4 MHz  
65 dB (1 MHz away)  
5 to 15 dB, 1 dB step  
2.7 dB  
12 dBm

**Specification**

Power supply  
Interfaces  
Functions  
Features

**Alarm output**

**RMC**

110V/230VAC  
Integ. web-server, display  
SNMP v2C, SYSLOG  
Gain setting  
SNTP, Firmware update  
Factory test data  
Dry contact alarm

**Dimensions (single band)**

System 3, 4 ch 19", 11U, 14" deep  
System 5, 6 ch 19", 15U, 14" deep  
Dimensions (dual band)  
System 3, 4 ch 19", 13U, 14" deep  
System 5, 6 ch 19", 17U, 14" deep

**Weight**

80 lbs  
100 lbs  
100 lbs  
120 lbs

**COMBILENT USA**

c/o TXRX Systems Inc, 8625 Industrial Parkway, Angola NY 14006  
e-mail: sales-us@combilent.com [www.combilent.com](http://www.combilent.com)